



# Carnes Roof Curbs

Technical Product Information

**CURB O.D. 23-1/2" x 23-1/2"**

P.O. NUMBER \_\_\_\_\_

CUSTOMER \_\_\_\_\_

PROJECT \_\_\_\_\_

LOCATION \_\_\_\_\_

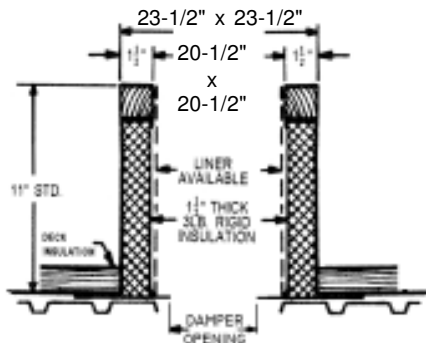
ARCHITECT \_\_\_\_\_

## STANDARD CONSTRUCTION

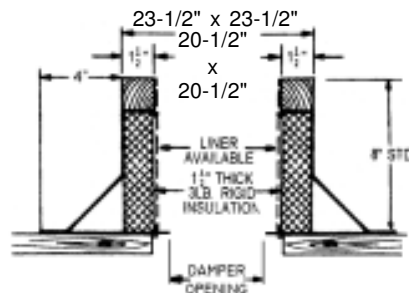
- 18 GAUGE GALVANIZED STEEL
- 1-1/2", 3LB. DENSITY FIBERGLASS INSULATION
- WOOD NAILER FLUSH
- UNITIZED CONSTRUCTION
- CONTINUOUS WELDED CORNER SEAMS

## FITS

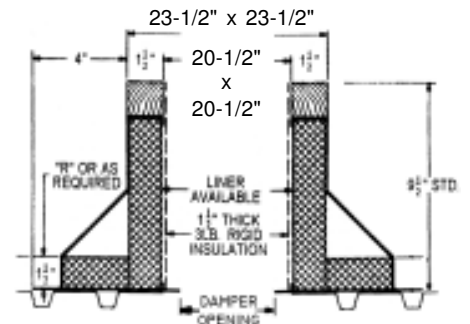
- VEDK 18
- VEBK 18
- VRBK 18
- VTBK 18
- VTDK 18
- GSAA 16
- VUDK 18
- VUBK 18



**RC-2A**



**RC-3A**



**RC-4A**

## PROJECT REQUIREMENTS

QTY.	STYLE	* OVERALL HEIGHT	"R" DIM.	PITCH REQUIREMENTS		DAMPER OPENING	TAG
				LONG SIDE	SHORT SIDE		