



Carnes Roof Curbs

Technical Product Information

CURB O.D. 16-1/8" x 16-1/8"

P.O. NUMBER _____

CUSTOMER _____

PROJECT _____

LOCATION _____

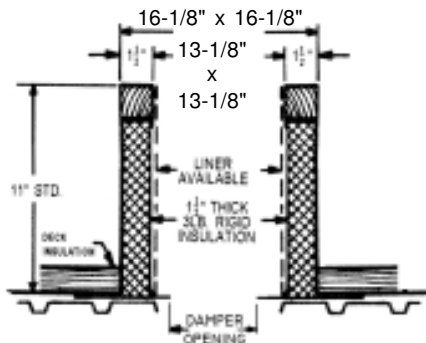
ARCHITECT _____

STANDARD CONSTRUCTION

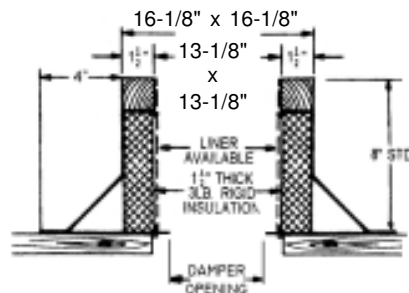
- 18 GAUGE GALVANIZED STEEL
- 1-1/2", 3LB. DENSITY FIBERGLASS INSULATION
- WOOD NAILER FLUSH
- UNITIZED CONSTRUCTION
- CONTINUOUS WELDED CORNER SEAMS

FITS

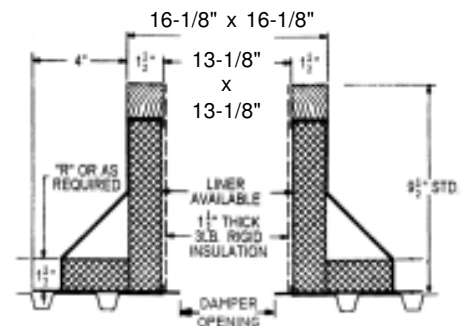
- VRBK 10
- VRBK 12
- VEBK 10
- VEDK 12
- VEBK 12
- VUDK 10
- VUBK 10
- VUDK 12
- VUBK 12
- VTBK 10
- VTDK 10
- VTBK 12
- VTDK 12



RC-2A



RC-3A



RC-4A

PROJECT REQUIREMENTS

QTY.	STYLE	* OVERALL HEIGHT	"R" DIM.	PITCH REQUIREMENTS		DAMPER OPENING	TAG
				LONG SIDE	SHORT SIDE		