



# Carnes Roof Curbs

Technical Product Information

**CURB O.D. 14" x 14"**

P.O. NUMBER \_\_\_\_\_

CUSTOMER \_\_\_\_\_

PROJECT \_\_\_\_\_

LOCATION \_\_\_\_\_

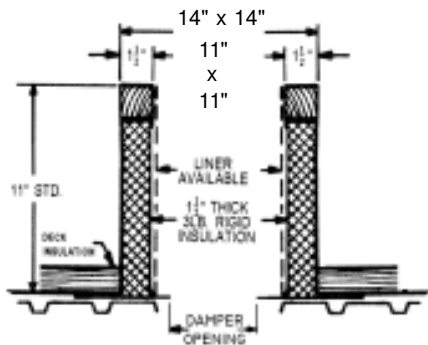
ARCHITECT \_\_\_\_\_

## STANDARD CONSTRUCTION

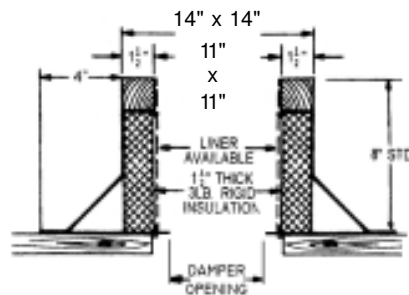
- 18 GAUGE GALVANIZED STEEL
- 1-1/2", 3LB. DENSITY FIBERGLASS INSULATION
- WOOD NAILER FLUSH
- UNITIZED CONSTRUCTION
- CONTINUOUS WELDED CORNER SEAMS

## FITS

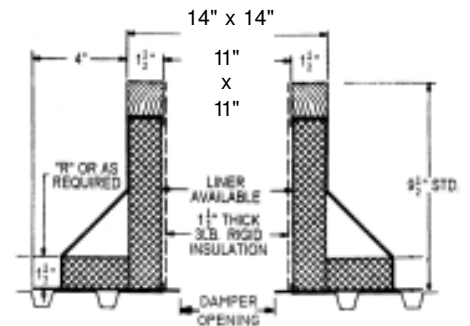
- VELK 06
- VULK 06
- VEDK 06
- VEBK 06
- VEDK 08
- VEBK 08
- VRBK 06
- VRBK 08
- VTBK 06
- VTDK 06
- VTBK 08
- VTDK 08
- VXCAC 08
- VUDK 06
- VUBK 06
- VUDK 08
- VUBK 08



**RC-2A**



**RC-3A**



**RC-4A**

## PROJECT REQUIREMENTS

QTY.	STYLE	* OVERALL HEIGHT	"R" DIM.	PITCH REQUIREMENTS		DAMPER OPENING	TAG
				LONG SIDE	SHORT SIDE		