



Greenheck Roof Curbs

Technical Product Information

CURB O.D. 32-1/2" x 32-1/2"

P.O. NUMBER _____

CUSTOMER _____

PROJECT _____

LOCATION _____

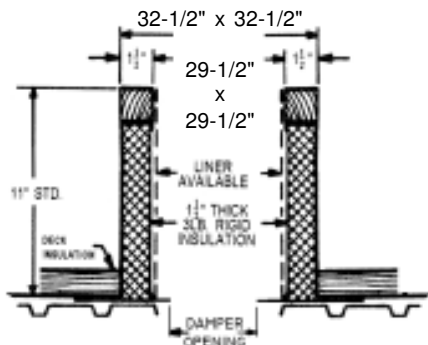
ARCHITECT _____

STANDARD CONSTRUCTION

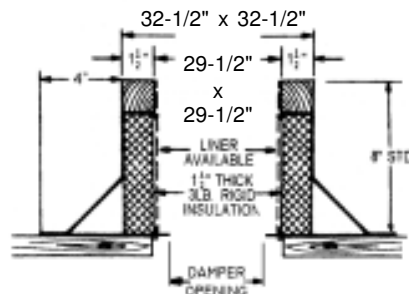
- 18 GAUGE GALVANIZED STEEL
- 1-1/2", 3LB. DENSITY FIBERGLASS INSULATION
- WOOD NAILER FLUSH
- UNITIZED CONSTRUCTION
- CONTINUOUS WELDED CORNER SEAMS

FITS

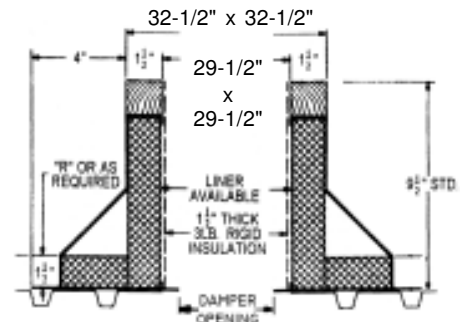
- | | | | | |
|--------------|----------------|----------------|--------------|-----------|
| • GB 220 | • LBP 24 | • H-CUBE 240 | • SAF 115 | • TAUB 24 |
| • GB 220HP | • NYB-240 | • H-CUBE 240HP | • AE 20 | • GRS 24 |
| • GB 240 | • CUBE 220 | • H-CUBE 240XP | • AS 20 | • GRSI 24 |
| • GB 240HP | • CUBE 220HP | • S-CUBE 240 | • AE 24 | • GRSR 24 |
| • H-GB 220 | • CUBE 240 | • TCBRU 18 | • AS 24 | |
| • H-GB 220HP | • CUBE 240HP | • TCBRS 18 | • RDU 24 | |
| • H-GB 240 | • CUBE 240XP | • RSF 120 | • RBU 24 | |
| • H-GB 240HP | • H-CUBE 220 | • RSFP 120 | • TAUD 24 | |
| • LB 24 | • H-CUBE 220HP | • SAF112 | • TAUB-CA 24 | |



RC-2A



RC-3A



RC-4A

PROJECT REQUIREMENTS

QTY.	STYLE	* OVERALL HEIGHT	"R" DIM.	PITCH REQUIREMENTS		DAMPER OPENING	TAG
				LONG SIDE	SHORT SIDE		