



Greenheck Roof Curbs

Technical Product Information

CURB O.D. 44-1/2" x 44-1/2"

P.O. NUMBER _____

CUSTOMER _____

PROJECT _____

LOCATION _____

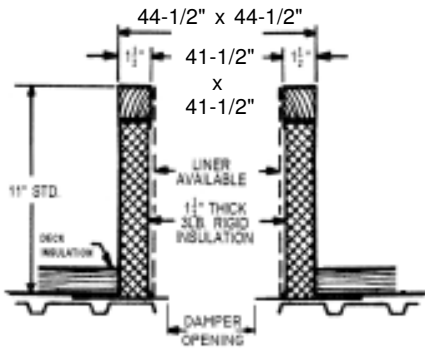
ARCHITECT _____

STANDARD CONSTRUCTION

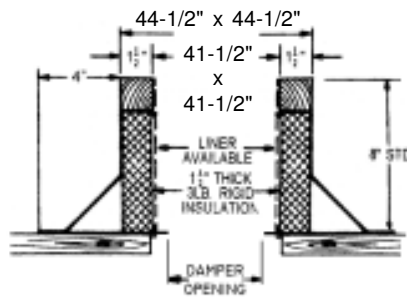
- 18 GAUGE GALVANIZED STEEL
- 1-1/2", 3LB. DENSITY FIBERGLASS INSULATION
- WOOD NAILER FLUSH
- UNITIZED CONSTRUCTION
- CONTINUOUS WELDED CORNER SEAMS

FITS

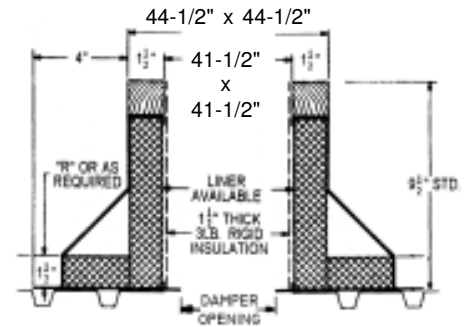
- | | | |
|--------------|------------|--------------|
| • GB 330 | • TCBRU 24 | • TAUB 36 |
| • GB 360 | • TCBR5 24 | • TAUB-CA 36 |
| • GB 360HP | • RSF 180 | • ERD 30 |
| • LB 36 | • RSFP 180 | • ESRMD 30 |
| • LBP 36 | • SAF 120 | • ESRMDF 30 |
| • CUBE 360 | • LSF 12 | • GRS 36 |
| • CUBE 360HP | • RDU 36 | • GRSI 36 |
| • CUBE 360XP | • RBU 36 | • GRSR 36 |
| • S-CUBE 360 | • TAUD 36 | |



RC-2A



RC-3A



RC-4A

PROJECT REQUIREMENTS

QTY.	STYLE	* OVERALL HEIGHT	"R" DIM.	PITCH REQUIREMENTS		DAMPER OPENING	TAG
				LONG SIDE	SHORT SIDE		