



Greenheck Roof Curbs

Technical Product Information

CURB O.D. 17-1/2" x 17-1/2"

P.O. NUMBER _____

CUSTOMER _____

PROJECT _____

LOCATION _____

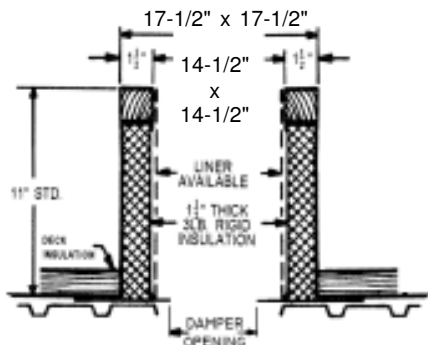
ARCHITECT _____

STANDARD CONSTRUCTION

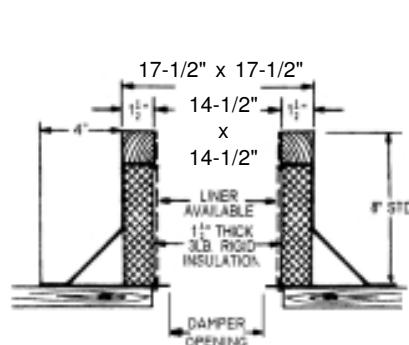
- 18 GAUGE GALVANIZED STEEL
- 1-1/2", 3LB. DENSITY FIBERGLASS INSULATION
- WOOD NAILER FLUSH
- UNITIZED CONSTRUCTION
- CONTINUOUS WELDED CORNER SEAMS

FITS

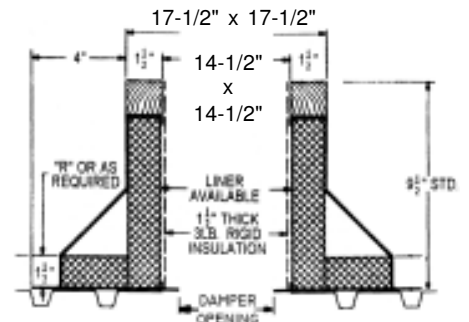
- | | | | | | | |
|------------|------------|-----------|-------------|--------------|----------------|-----------|
| • G 101 | • H-G 121 | • LD 85 | • CUE 085 | • H-CUE 095 | • H CUBE 098 | • AS 10 |
| • G 121 | • H-GB 071 | • LD 90 | • CUE 090 | • H-CUE 098 | • H CUBE 101 | • GRS 8 |
| • GB 071 | • H-GB 081 | • LD 95 | • CUE 095 | • H-CUE 101 | • H CUBE 101HP | • GRSI 8 |
| • GB 081 | • H-GB 091 | • LDP 80 | • CUE 098 | • H-CUE 121 | • H CUBE 121 | • GRSR 8 |
| • GB 091 | • H-GB 101 | • LDP 85 | • CUE 101 | • H-CUE 131 | • H CUBE 131 | • GRS 10 |
| • GB 101 | • H-GB | • LDP 90 | • CUE 121 | • CUBE 098 | • S CUBE 101 | • GRSI 10 |
| • GB 101HP | 101HP | • LDP 95 | • CUE 131 | • CUBE 101 | • S CUBE 101HP | • GRSR 10 |
| • GB 121 | • H-GB 121 | • NYD 75 | • H-CUE 080 | • CUBE 101HP | • S CUBE 121 | |
| • GB 131 | • H-GB 131 | • NYD 90 | • H-CUE 085 | • CUBE 121 | • S CUBE 131 | |
| • H-G 101 | • LD 80 | • CUE 080 | • H-CUE 090 | • CUBE 131 | • AE 10 | |



RC-2A



RC-3A



RC-4A

PROJECT REQUIREMENTS

QTY.	STYLE	* OVERALL HEIGHT	"R" DIM.	PITCH REQUIREMENTS		DAMPER OPENING	TAG
				LONG SIDE	SHORT SIDE		