



# Greenheck Roof Curbs

Technical Product Information

**CURB O.D. 15-1/2" x 15-1/2"**

P.O. NUMBER \_\_\_\_\_

CUSTOMER \_\_\_\_\_

PROJECT \_\_\_\_\_

LOCATION \_\_\_\_\_

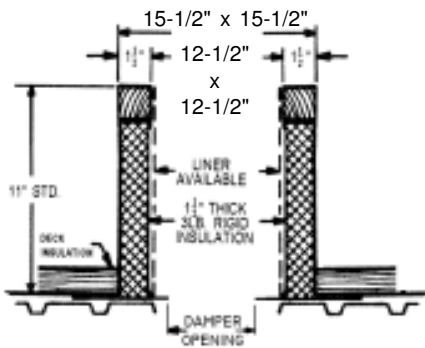
ARCHITECT \_\_\_\_\_

### STANDARD CONSTRUCTION

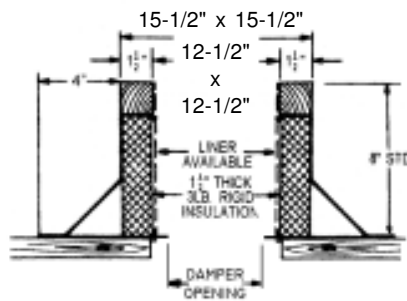
- 18 GAUGE GALVANIZED STEEL
- 1-1/2", 3LB. DENSITY FIBERGLASS INSULATION
- WOOD NAILER FLUSH
- UNITIZED CONSTRUCTION
- CONTINUOUS WELDED CORNER SEAMS

### FITS

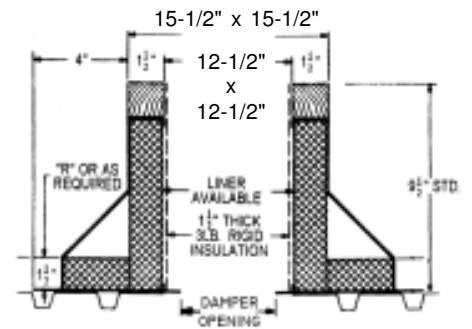
- G 060
- G 065
- G 070
- G 075
- G 080
- G 085
- G 090
- G 095
- H-G 060
- H-G 065
- H-G 070
- H-G 075
- H-G 080
- H-G 085
- H-G 090
- H-G 095
- LD 60
- LD 65
- LD 70
- LD 75
- LDP 60
- LDP 65
- LDP 70
- LDP 75
- CUE-65
- CUE-60
- CUE-70
- CUE-75
- H-CUE 060
- H-CUE 065
- H-CUE 070
- H-CUE 075



**RC-2A**



**RC-3A**



**RC-4A**

### PROJECT REQUIREMENTS

QTY.	STYLE	* OVERALL HEIGHT	"R" DIM.	PITCH REQUIREMENTS		DAMPER OPENING	TAG
				LONG SIDE	SHORT SIDE		