



Loren Cook Roof Curbs

Technical Product Information

CURB O.D. 40-1/2" x 40-1/2"

P.O. NUMBER _____

CUSTOMER _____

PROJECT _____

LOCATION _____

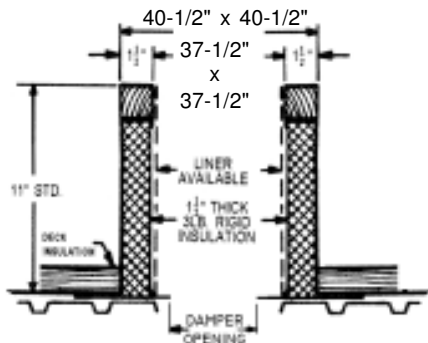
ARCHITECT _____

STANDARD CONSTRUCTION

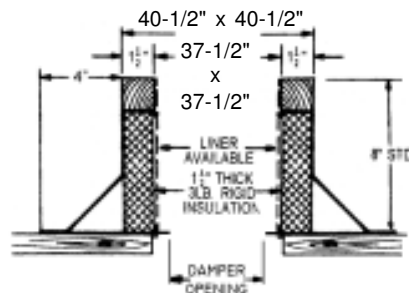
- 18 GAUGE GALVANIZED STEEL
- 1-1/2", 3LB. DENSITY FIBERGLASS INSULATION
- WOOD NAILER FLUSH
- UNITIZED CONSTRUCTION
- CONTINUOUS WELDED CORNER SEAMS

FITS

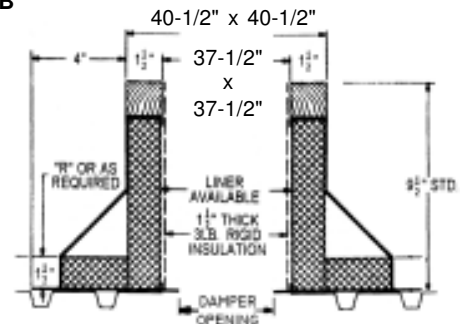
- | | | | | |
|-----------|-------------|------------|------------|-----------|
| • 330 C | • 365 SCX | • 32 UCV | • 30 HXFL | • 30 LEU |
| • 365 C | • 330 V | • 32 CVR | • 30 HXFM | • 30 AUD |
| • 330 R | • 330 VH | • 32 CVR-S | • 30 HEE | • 30 AUB |
| • 330 RH | • 330 VX | • 30 AQD | • 30 HES | • 30 EUB |
| • 330 RX | • 365 V | • 30 AQB | • 30 HEF | • 30 SUB |
| • 365 R | • 365 VH | • 30 SEP | • 30 HER | • 30 SUBH |
| • 365 RH | • 365 VX | • 30 ETE | • 30 HEE-D | • 30 PR |
| • 365 RX | • 330 TLC-B | • 30 ETS | • 30 HES-D | • 30 TR |
| • 330 SC | • 365 TLC-B | • 30 HXEL | • 30 HEF-D | • 30 LSUG |
| • 330 SCH | • 330 HLC-B | • 30 HXEM | • 30 HER-D | • 30 TUB |
| • 330 SCX | • 365 HLC-B | • 30 HXSL | • 30 LXUL | • 30 TUD |
| • 365 SC | • 300 LPB | • 30 HXSM | • 30 LXUM | • 30 LTU |
| • 365 SCH | • 330 LPB | | | |



RC-2A



RC-3A



RC-4A

PROJECT REQUIREMENTS

QTY.	STYLE	* OVERALL HEIGHT	"R" DIM.	PITCH REQUIREMENTS		DAMPER OPENING	TAG
				LONG SIDE	SHORT SIDE		