



Loren Cook Roof Curbs

Technical Product Information

CURB O.D. 46-1/2" x 46-1/2"

P.O. NUMBER _____

CUSTOMER _____

PROJECT _____

LOCATION _____

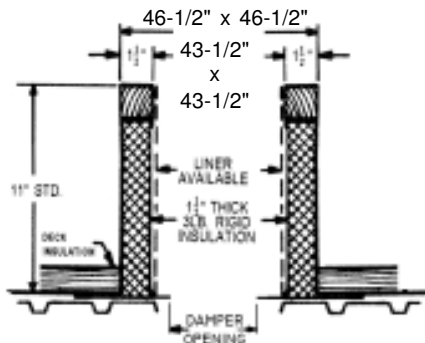
ARCHITECT _____

STANDARD CONSTRUCTION

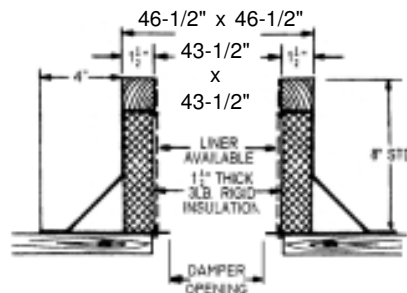
- 18 GAUGE GALVANIZED STEEL
- 1-1/2", 3LB. DENSITY FIBERGLASS INSULATION
- WOOD NAILER FLUSH
- UNITIZED CONSTRUCTION
- CONTINUOUS WELDED CORNER SEAMS

FITS

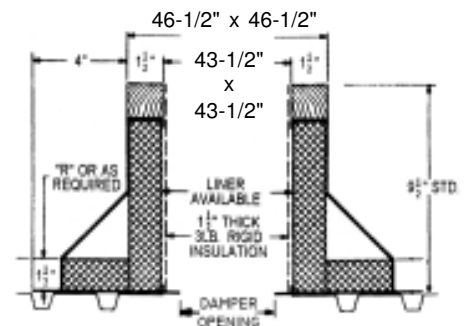
- | | | | | |
|-------------|------------|------------|------------|-----------|
| • 402 C | • 36 CVR-S | • 36 HXSM | • 36 HEF-D | • 36 SUBH |
| • 402 R | • 36 AQD | • 36 HXFL | • 36 HER-D | • 36 PR |
| • 402 V | • 36 AQB | • 36 HXFM | • 36 LXUL | • 36 TR |
| • 402 TLC-B | • 36 SEP | • 36 HEE | • 36 LXUM | • 36 LSUG |
| • 402 HLC-B | • 36 ETE | • 36 HES | • 36 LEU | • 36 TUB |
| • 365 LPB | • 36 ETS | • 36 HEF | • 36 AUD | • 36 TUD |
| • 402 LPB | • 36 HXEL | • 36 HER | • 36 AUB | • 36 LTU |
| • 36 UCV | • 36 HXEM | • 36 HEE-D | • 36 EUB | |
| • 36 CVR | • 36 HXSL | • 36 HES-D | • 36 SUB | |



RC-2A



RC-3A



RC-4A

PROJECT REQUIREMENTS

QTY.	STYLE	* OVERALL HEIGHT	"R" DIM.	PITCH REQUIREMENTS		DAMPER OPENING	TAG
				LONG SIDE	SHORT SIDE		