



Loren Cook Roof Curbs

Technical Product Information

CURB O.D. 64-1/2" x 64-1/2"

P.O. NUMBER _____

CUSTOMER _____

PROJECT _____

LOCATION _____

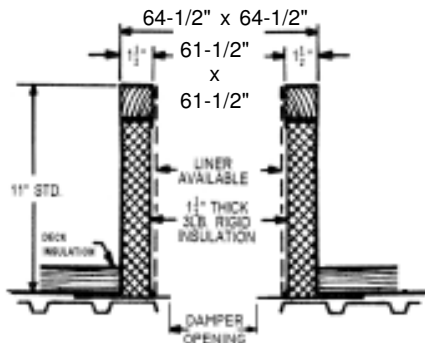
ARCHITECT _____

STANDARD CONSTRUCTION

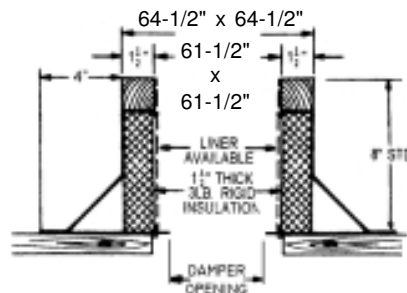
- 18 GAUGE GALVANIZED STEEL
- 1-1/2", 3LB. DENSITY FIBERGLASS INSULATION
- WOOD NAILER FLUSH
- UNITIZED CONSTRUCTION
- CONTINUOUS WELDED CORNER SEAMS

FITS

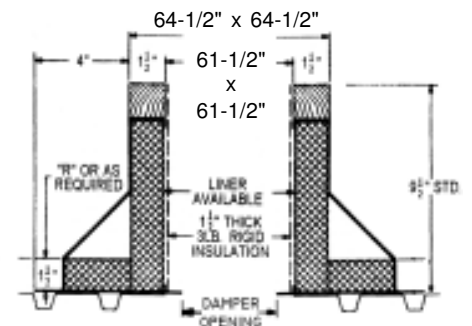
- | | | |
|-------------|------------|-----------|
| • 540 C | • 54 HXFL | • 54 LXUL |
| • 540 TLC-B | • 54 HXFM | • 54 LXUM |
| • 540 HLC-B | • 54 HEE | • 54 LEU |
| • 540 LPB | • 54 HES | • 54 EUB |
| • 54 ETE | • 54 HEF | • 54 SUB |
| • 54 ETS | • 54 HER | • 54 SUBH |
| • 54 HXEL | • 54 HEE-D | • 54 LSUG |
| • 54 HXEM | • 54 HES-D | • 54 TUB |
| • 54 HXSL | • 54 HEF-D | • 54 TUD |
| • 54 HXSM | • 54 HER-D | • 54 LTU |



RC-2A



RC-3A



RC-4A

PROJECT REQUIREMENTS

QTY.	STYLE	* OVERALL HEIGHT	"R" DIM.	PITCH REQUIREMENTS		DAMPER OPENING	TAG
				LONG SIDE	SHORT SIDE		