



Loren Cook Roof Curbs

Technical Product Information

CURB O.D. 28-1/2" x 28-1/2"

P.O. NUMBER _____

STANDARD CONSTRUCTION

CUSTOMER _____

- 18 GAUGE GALVANIZED STEEL
- 1-1/2", 3LB. DENSITY FIBERGLASS INSULATION
- WOOD NAILER FLUSH
- UNITIZED CONSTRUCTION
- CONTINUOUS WELDED CORNER SEAMS

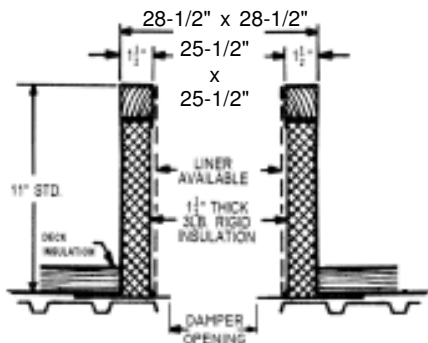
PROJECT _____

LOCATION _____

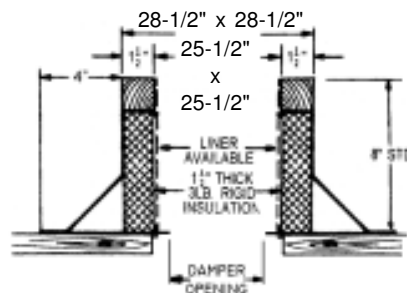
ARCHITECT _____

FITS

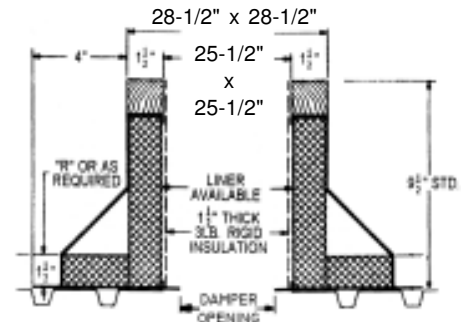
- | | | | | | | | | | |
|----------|----------|-----------|-----------|-----------|----------|-----------|--------------|--------------|---------------|
| • 180 C | • 195 R | • 225 RX | • 195 SCH | • 245 SC | • 195 V | • 225 VX | • 180 SRSH-D | • 210 SRSH-B | • 210 HLC-B |
| • 195 C | • 195 RH | • 245 R | • 195 SCX | • 245 SCH | • 195 VH | • 245 V | • 225 SRSH-B | • 195 TLC-B | • 225 HLC-B |
| • 210 C | • 195 RX | • 245 RH | • 210 SC | • 245 SCX | • 195 VX | • 245 VH | • 245 SRSH-B | • 210 TLC-B | • 245 HLC-B |
| • 225 C | • 210 R | • 245 RX | • 210 SCH | • 180 V | • 210 V | • 245 VX | • 270 SRSH-B | • 225 TLC-B | • 150 QMXE |
| • 245 C | • 210 RH | • 180 SC | • 210 SCX | • 180 VH | • 210 VH | • 180 LPB | • 180 TLC-D | • 245 TLC-B | • 150 QMXS |
| • 180 R | • 210 RX | • 180 SCH | • 225 SC | • 180 VX | • 210 VX | • 195 LPB | • 180 TLC-B | • 180 HLC-D | • 150 QMXE-HP |
| • 180 RH | • 225 R | • 180 SCX | • 225 SCH | • 190 VH | • 225 V | • 210 LPB | • 180 SRSH-B | • 180 HLC-B | • 150 QMXS-HP |
| • 180 RX | • 225 RH | • 195 SC | • 225 SCX | • 190 VX | • 225 VH | • 225 LPB | • 195 SRSH-B | • 195 HLC-B | • 150 QMXU |
| | | | | | | | | | • 150 QMXU-HP |



RC-2A



RC-3A



RC-4A

PROJECT REQUIREMENTS

QTY.	STYLE	* OVERALL HEIGHT	"R" DIM.	PITCH REQUIREMENTS		DAMPER OPENING	TAG
				LONG SIDE	SHORT SIDE		