



McQuay Roof Curbs

Technical Product Information

MPS 015-020 Tons- Maverick II

P.O. NUMBER _____

STANDARD CONSTRUCTION

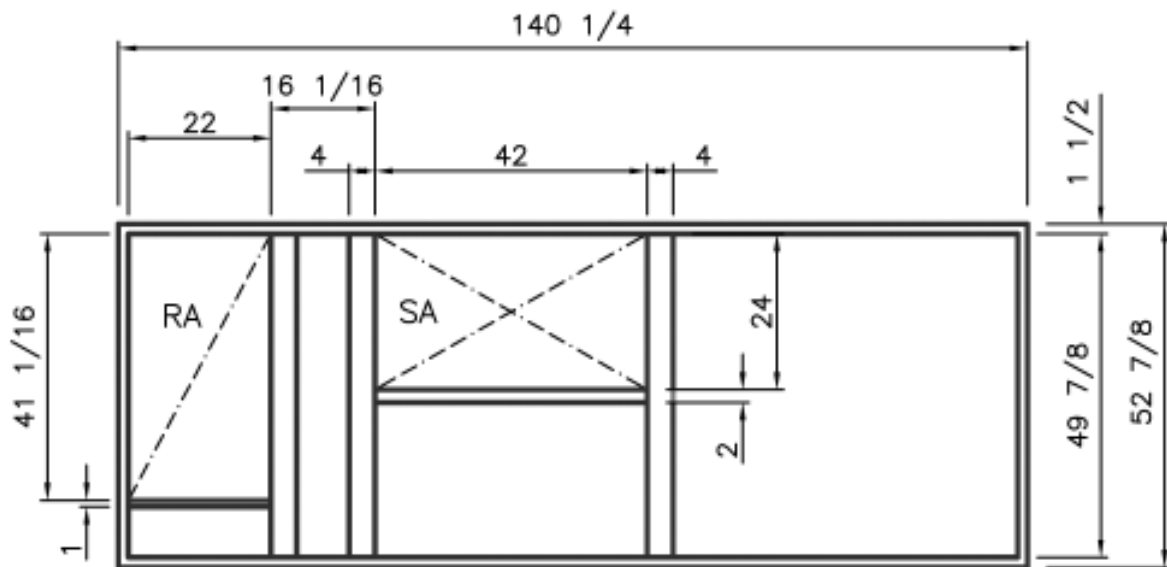
CUSTOMER _____

- _____ GAUGE GALVANIZED STEEL
- 2 x 2 WOOD NAILER
- 1-1/2" 3# DENSITY RIGID FIBERGLASS INSULATION
- UNITIZED CONSTRUCTION
- CONTINUOUS WELDED CORNER SEAMS

PROJECT _____

LOCATION _____

ARCHITECT _____



RPS CAD MPS-015-020 A

PROJECT REQUIREMENTS

QTY.	STYLE	* OVERALL HEIGHT	PITCH REQUIREMENTS		TAG
			LONG SIDE	SHORT SIDE	