



# AAON Roof Curbs

Technical Product Information

## RM 16-25 Tons- "C" Cabinet with Duct Hangers

P.O. NUMBER \_\_\_\_\_

### STANDARD CONSTRUCTION

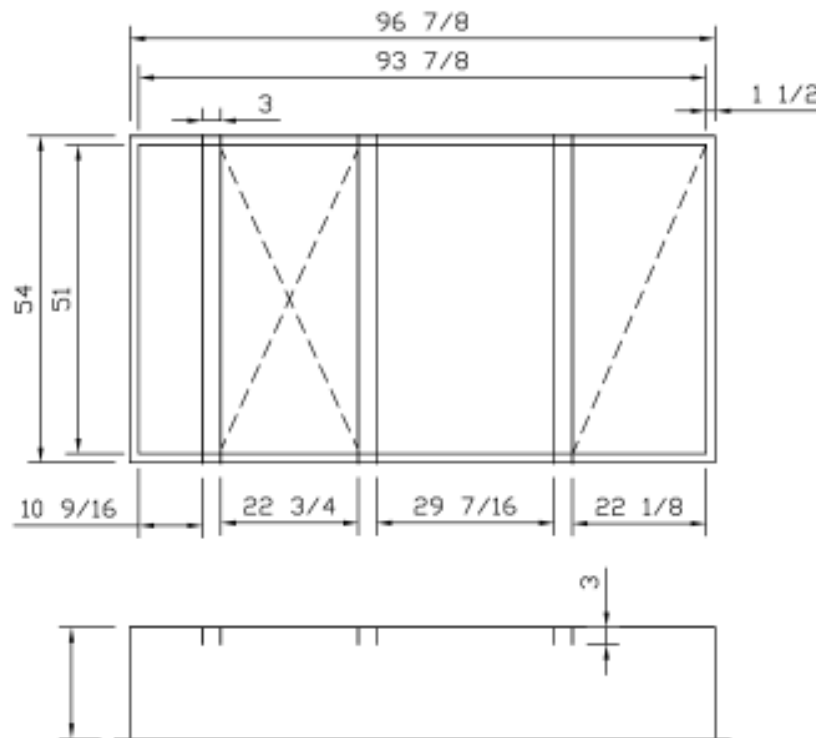
CUSTOMER \_\_\_\_\_

- \_\_\_\_\_ GAUGE GALVANIZED STEEL
- 2 x 2 WOOD NAILER
- 1" DUCT LINER INSULATION
- UNITIZED CONSTRUCTION
- CONTINUOUS WELDED CORNER SEAMS

PROJECT \_\_\_\_\_

LOCATION \_\_\_\_\_

ARCHITECT \_\_\_\_\_



RPS CAD C-94-H

### PROJECT REQUIREMENTS

QTY.	STYLE	* OVERALL HEIGHT	PITCH REQUIREMENTS		TAG
			LONG SIDE	SHORT SIDE	