



Bryant Roof Curbs

Technical Product Information

P.O. NUMBER _____

CUSTOMER _____

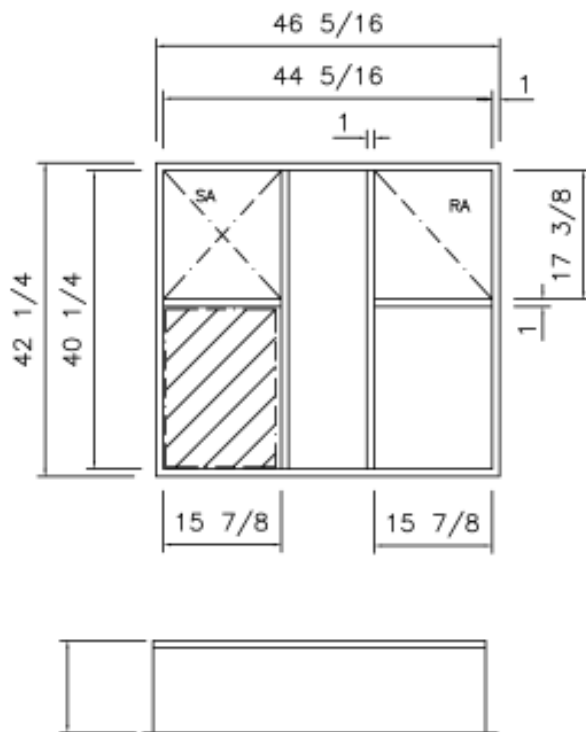
PROJECT _____

LOCATION _____

ARCHITECT _____

STANDARD CONSTRUCTION

- _____ GAUGE GALVANIZED STEEL
- 2 x 2 WOOD NAILER
- 1" DUCT LINER INSULATION
- UNITIZED CONSTRUCTION
- CONTINUOUS WELDED CORNER SEAMS



Fits

- 582 A 048 - 060

PROJECT REQUIREMENTS

QTY.	STYLE	* OVERALL HEIGHT	PITCH REQUIREMENTS		TAG
			LONG SIDE	SHORT SIDE	