



Kitchen Ventilation Curbs

Technical Product Information

Kitchen Ventilation Adapters

P.O. NUMBER _____

CUSTOMER _____

PROJECT _____

LOCATION _____

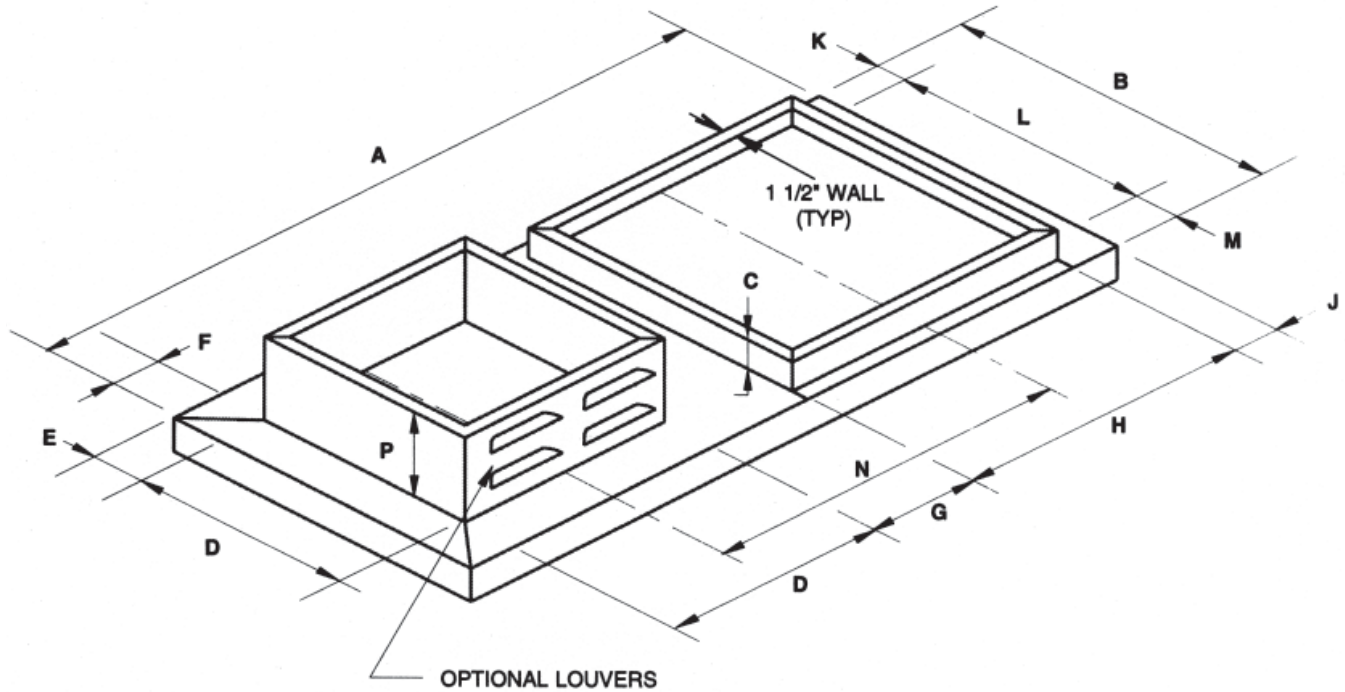
ARCHITECT _____

STANDARD CONSTRUCTION

- 18 GAUGE GALVANIZED STEEL
- FULLY WELDED UNITIZED CONSTRUCTION
- CONTINUOUS WELDED CORNER SEAMS

AVAILABLE OPTIONS FOR ALL MODELS

- INSULATION
- LOUVERS
- ACCESS DOORS
- DAMPER HOLDING PLATES
- NEOPRENE GASKETS
- HEAVIER GAUGES



NOTE: WHEN SIZING NECESSARY ROOF CURB FOR ADAPTER, CURB O.D. WILL BE 1-1/2" LESS THAN "A" AND "B" DIMENSION OF ROOF ADAPTER. SEE ROOF CURB SECTION FOR PROPER STYLE.

PROJECT REQUIREMENTS

QTY.	A	B	C	D	E	F	G	H	J	K	L	M	N	P	TAG