



Special Application Curbs

Technical Product Information

Hinge Assembly

P.O. NUMBER _____

CUSTOMER _____

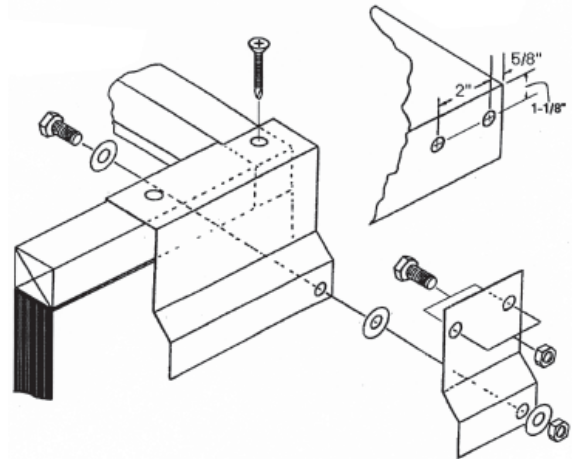
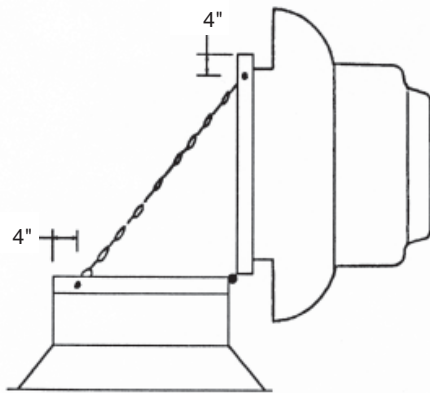
PROJECT _____

LOCATION _____

ARCHITECT _____

STANDARD CONSTRUCTION

- 14 GAUGE GALVANIZED STEEL HINGE
- ZINC COATED SUPPORT CHAIN
- ALL CORROSIVE-RESISTANT HARDWARE



* NOTE: STANDARD OVERALL HEIGHT SPECIFICALLY SHOWN BELOW

PROJECT REQUIREMENTS							
QTY.	STYLE	ACTUAL DIMENSIONS		* OVERALL HEIGHT	PITCH REQUIREMENTS		TAG
		O.D.	I.D.		LONG SIDE	SHORT SIDE	