



# Metal Construction Roof Curbs

Technical Product Information

RC-8 Style

P.O. NUMBER \_\_\_\_\_

CUSTOMER \_\_\_\_\_

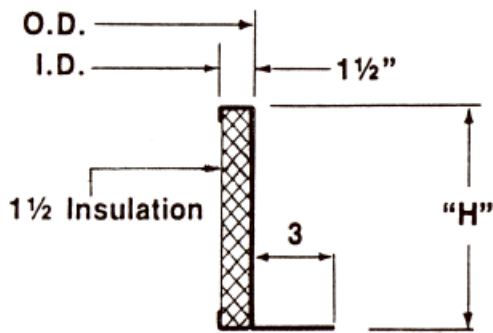
PROJECT \_\_\_\_\_

LOCATION \_\_\_\_\_

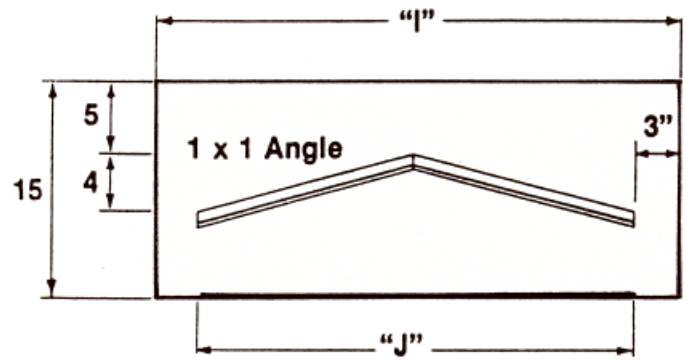
ARCHITECT \_\_\_\_\_

## STANDARD CONSTRUCTION

- 18 GAUGE GALVANIZED STEEL
- 1-1/2", 3LB. DENSITY FIBERGLASS INSULATION
- UNITIZED CONSTRUCTION
- CONTINUOUS WELDED WATERTIGHT SEAMS
- 14 GAUGE DEFLECTOR PLATE



Typical Section



Typical Deflector Plate

\* NOTE: STANDARD OVERALL HEIGHT 8" UNLESS SPECIFICALLY SHOWN BELOW

PROJECT REQUIREMENTS										
QTY.	ACTUAL DIMENSIONS					NOTCHES		PITCH REQUIREMENTS		TAG
	O.D.	I.D.	* "H"	"I"	"J"	"S"	"C"	LONG SIDE	SHORT SIDE	