



Conventional Roof Curbs

Technical Product Information

RC-2A & RC-2B Styles

P.O. NUMBER _____

CUSTOMER _____

PROJECT _____

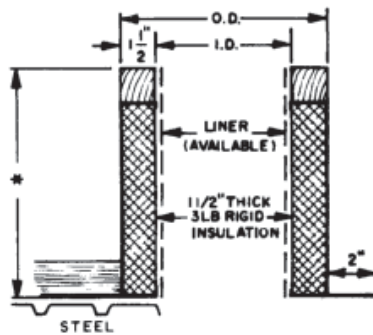
LOCATION _____

ARCHITECT _____

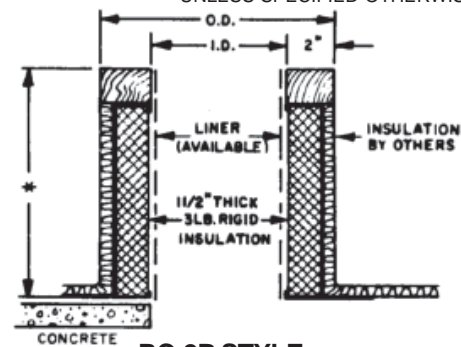
STANDARD CONSTRUCTION

- 18 GAUGE GALVANIZED STEEL
- 1-1/2", 3LB. DENSITY FIBERGLASS INSULATION
- WOOD NAILER
 - "A" STYLE FLUSH
 - "B" STYLE _____ OVERHANG
- UNITIZED CONSTRUCTION
- CONTINUOUS WELDED CORNER SEAMS

NOTE: STANDARD LUMBER OVERHANG 1/2" UNLESS SPECIFIED OTHERWISE



RC-2A STYLE



RC-2B STYLE

* NOTE: STANDARD OVERALL HEIGHT 11" UNLESS SPECIFICALLY SHOWN BELOW

PROJECT REQUIREMENTS

QTY.	STYLE	ACTUAL DIMENSIONS		* OVERALL HEIGHT	"B" STYLE NAILER OVERHANG	PITCH REQUIREMENTS		TAG
		O.D.	I.D.			LONG SIDE	SHORT SIDE	