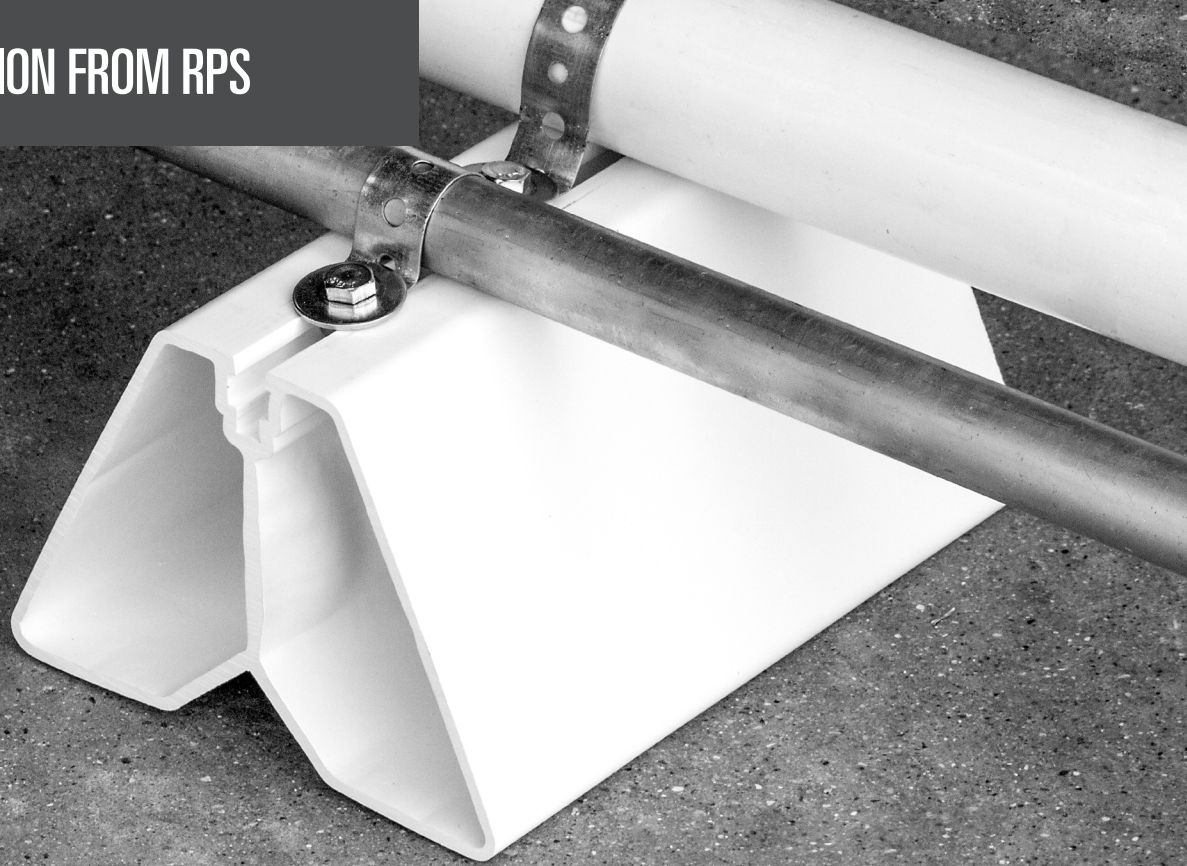


A **NEW** SOLUTION FROM RPS



PEDESTAL PLUS

Pipe Mounting Pedestal



- White, UV stable, reinforced PVC base
- Made of 25% recycled material
- Qualifies for 3 LEED accreditation points
- Accommodates multiple pipe runs
- Supports loads of up to 150 lbs.
- Quick and easy installation
- A cost effective solution

Pedestal Plus shown with optional strut assembly

CALL TODAY! (800) 624-8642

rpsturbs.com

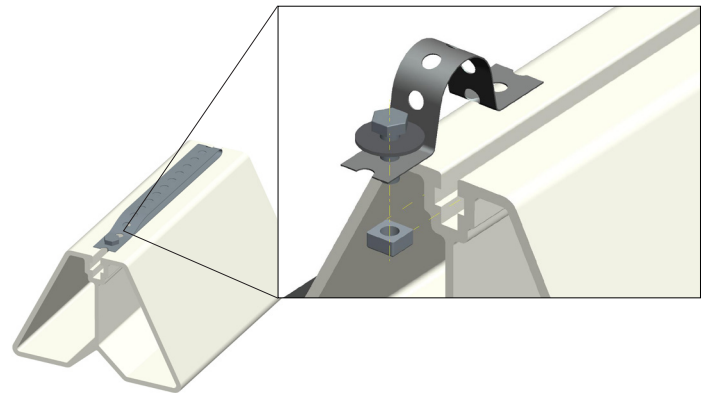
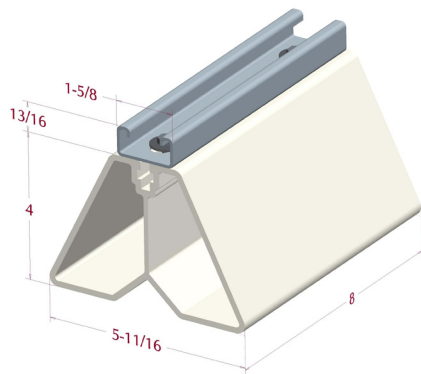


PEDESTAL PLUS

Pipe Mounting Pedestal

The Pedestal Plus offers a convenient, functional and practical means to securing rooftop pipe runs.

- Features a white, UV stable, reinforced PVC base composed of 25 percent recycled material.
- Contributes to LEED section 4.2 Recycled Content, 5.2 Regional Materials and 7.2 Heat Island Effect.
- Accommodates rooftop piping applications—including gas, refrigeration, electrical and solar conduit lines—from 1/2" to 3" in diameter.
- Supports multiple pipes, and loads up to 150 pounds, with the supports spaced 10 feet apart.
- Hardware included.



Pedestal Plus with plumber strap
Part # MIS-PEDSTRAP

The Pedestal Plus comes in two simple models that will significantly reduce hassle and installation time. The standard model includes the necessary installation hardware and a perforated plumber strap to secure the pedestal to the piping. Another model includes a strut assembly to allow for increased strength and additional attachments.



Pedestal Plus with U-channel strut
Part # MIS-PEDCHANNEL