



Carnes Roof Curbs

Technical Product Information

CURB O.D. 48-1/2" x 102-1/2"

P.O. NUMBER _____

CUSTOMER _____

PROJECT _____

LOCATION _____

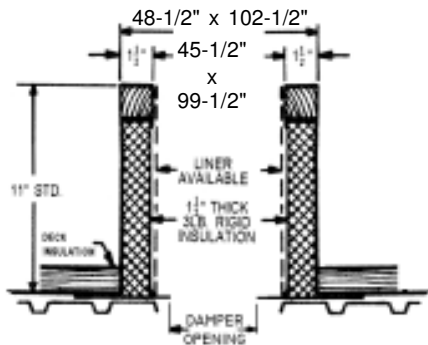
ARCHITECT _____

STANDARD CONSTRUCTION

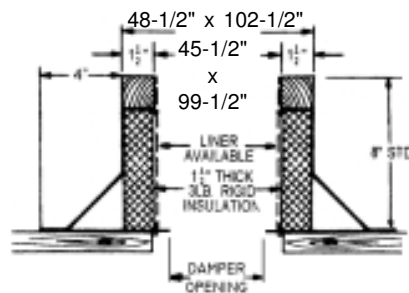
- 18 GAUGE GALVANIZED STEEL
- 1-1/2", 3LB. DENSITY FIBERGLASS INSULATION
- WOOD NAILER FLUSH
- UNITIZED CONSTRUCTION
- CONTINUOUS WELDED CORNER SEAMS

FITS

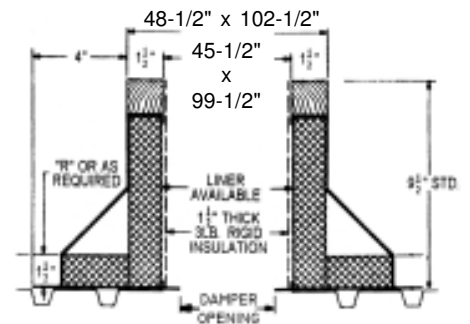
- 42 x 96 GI
- 42 x 96 GE



RC-2A



RC-3A



RC-4A

PROJECT REQUIREMENTS

| QTY. | STYLE | * OVERALL HEIGHT | "R" DIM. | PITCH REQUIREMENTS | | DAMPER OPENING | TAG |
|------|-------|------------------|----------|--------------------|------------|----------------|-----|
| | | | | LONG SIDE | SHORT SIDE | | |
| | | | | | | | |