



ACME Roof Curbs

Technical Product Information

CURB O.D. 74-1/2" x 74-1/2"

P.O. NUMBER _____

STANDARD CONSTRUCTION

CUSTOMER _____

- 18 GAUGE GALVANIZED STEEL
- 1-1/2", 3LB. DENSITY FIBERGLASS INSULATION
- WOOD NAILER FLUSH
- UNITIZED CONSTRUCTION
- CONTINUOUS WELDED CORNER SEAMS

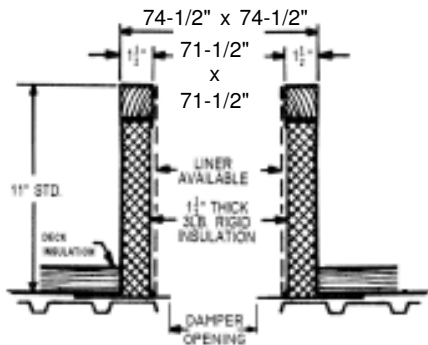
PROJECT _____

LOCATION _____

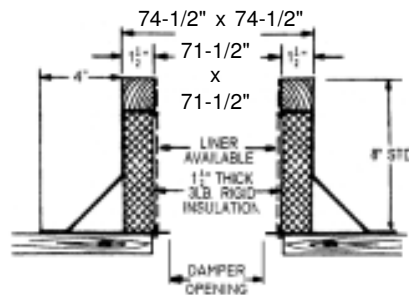
FITS

ARCHITECT _____

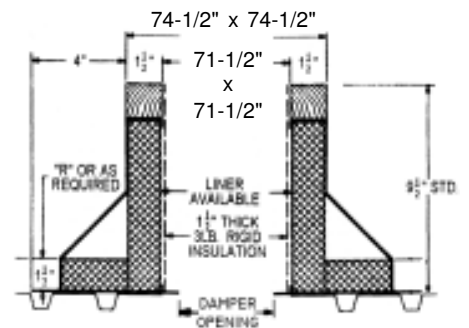
- ECH 60



RC-2A



RC-3A



RC-4A

PROJECT REQUIREMENTS

QTY.	STYLE	* OVERALL HEIGHT	"R" DIM.	PITCH REQUIREMENTS		DAMPER OPENING	TAG
				LONG SIDE	SHORT SIDE		