



# Conventional Roof Curbs

Technical Product Information

RC-3A & RC-3B Styles

P.O. NUMBER \_\_\_\_\_

CUSTOMER \_\_\_\_\_

PROJECT \_\_\_\_\_

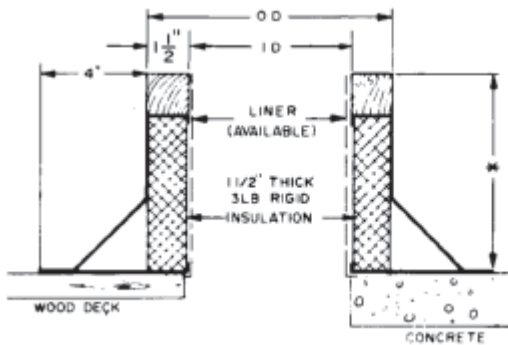
LOCATION \_\_\_\_\_

ARCHITECT \_\_\_\_\_

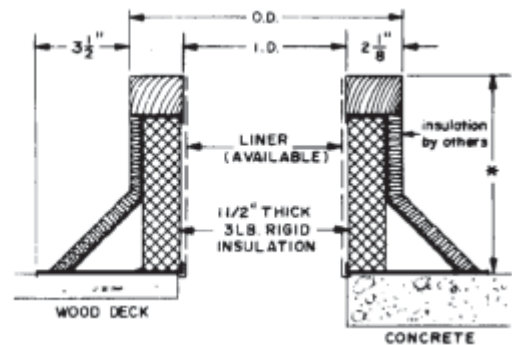
## STANDARD CONSTRUCTION

- 18 GAUGE GALVANIZED STEEL
- 1-1/2", 3LB. DENSITY FIBERGLASS INSULATION
- WOOD NAILER
  - "A" STYLE FLUSH
  - "B" STYLE \_\_\_\_\_ OVERHANG
- UNITIZED CONSTRUCTION
- BUILT-IN CANT WITH MITERED CORNERS
- CONTINUOUS WELDED CORNER SEAMS

NOTE: STANDARD LUMBER OVERHANG 1/2" UNLESS SPECIFIED OTHERWISE



RC-3A STYLE



RC-3B STYLE

\* NOTE: STANDARD OVERALL HEIGHT 8" UNLESS SPECIFICALLY SHOWN BELOW

## PROJECT REQUIREMENTS

QTY.	STYLE	ACTUAL DIMENSIONS		* OVERALL HEIGHT	"B" STYLE NAILER OVERHANG	PITCH REQUIREMENTS		TAG
		O.D.	I.D.			LONG SIDE	SHORT SIDE	